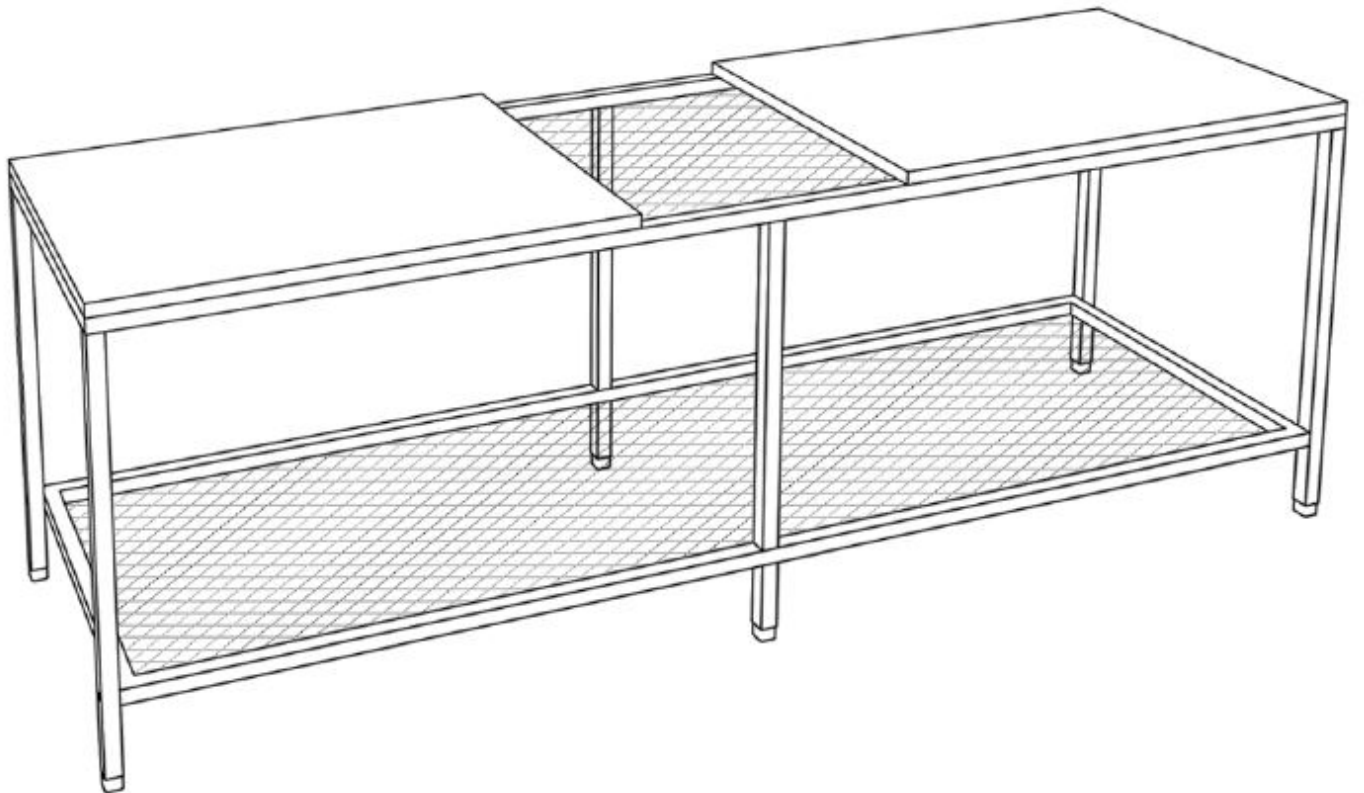




DISPLAYS2GO
CONNECTING PEOPLE & BRANDS WITH THE WORLD



SKU: FDCASABN

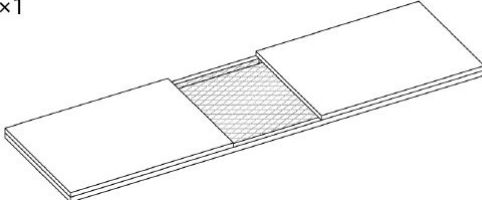
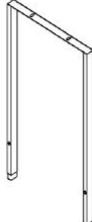
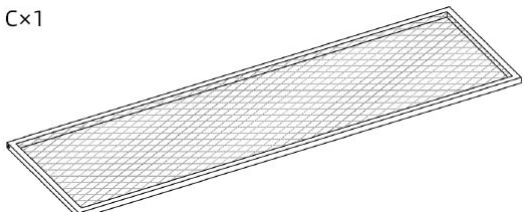






CASA COLLECTION: LOW-PROFILE BENCH

User Manual

PARTS LIST



Scan QR code
to visit product
page

A×1 		B×2 		C×1 	
D×2 	E×2 	F×6 	G×8(M8*10mm) 	H×4(M8*35mm) 	I×1 

PART

QUANTITY

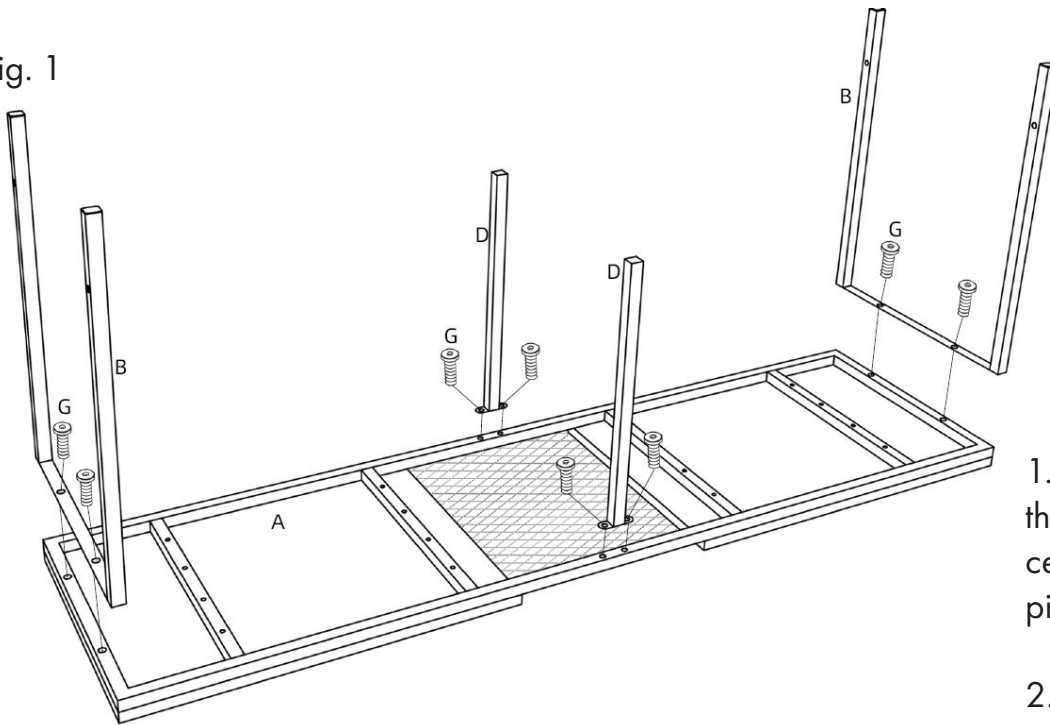
A: Bench Top	1
B: Side Piece.....	2
C: Shelf	1
D: Center Support.....	2
E: Leg	2
F: Foot	6
G: M8 * 10 Screw	8
H: M8 * 35 Screw.....	4
I: Allen Key	1

NOTE: Assemble on soft surface to avoid scratching unit.

Tools Required: Phillips Head Screwdriver

If you have any questions regarding our products, please visit us at www.displays2go.com or contact Displays2go customer service at 844-221-3388.

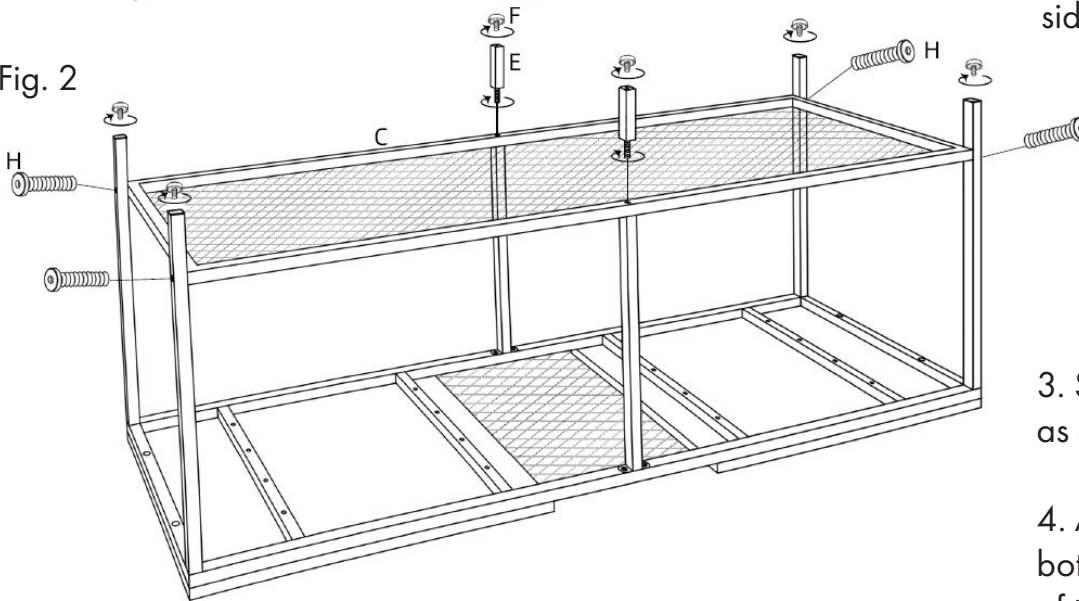
Fig. 1



1. From the bottom of the bench top, screw in center supports and side pieces, as shown (Fig. 1).

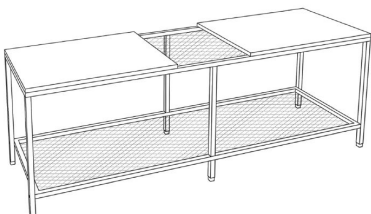
2. Screw shelf into the side pieces. (Fig. 2)

Fig. 2



3. Screw in legs by hand, as shown. (Fig. 2)

4. Attach feet to the bottoms of each of the legs of the bench. (Fig. 2)



Enjoy your new bench!

CONTACT INFORMATION:

www.displays2go.com

PHONE: 844-221-3388